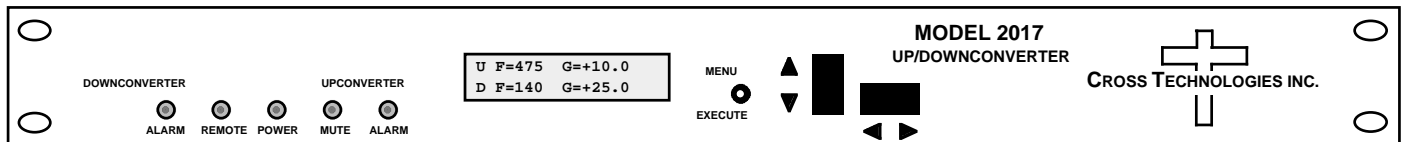


# Instruction Manual

# Model 2017-1351 Up/Downconverter

October 2011, Rev. 0



Data, drawings, and other material contained herein are proprietary to Cross Technologies, Inc., but may be reproduced or duplicated without the prior permission of Cross Technologies, Inc. for purposes of operating the equipment. Printed in USA.

When ordering parts from Cross Technologies, Inc., be sure to include the equipment model number, equipment serial number, and a description of the part.



6170 Shiloh Road  
Alpharetta, Georgia 30005

(770) 886-8005  
FAX (770) 886-7964  
Toll Free 888-900-5588

WEB [www.crosstechnologies.com](http://www.crosstechnologies.com)  
E-MAIL [info@crosstechnologies.com](mailto:info@crosstechnologies.com)

# INSTRUCTION MANUAL

## MODEL 2017-1351 Up/Downconverter

<u>TABLE OF CONTENTS</u>	<u>PAGE</u>
<b>Warranty</b>	<b>2</b>
<b>1.0 General</b>	<b>3</b>
1.1 Equipment Description	<b>3</b>
1.2 Technical Characteristics	<b>4</b>
1.3 Monitor & Control Interface	<b>5</b>
1.4 Environmental Use Information	<b>8</b>
<b>2.0 Installation</b>	<b>9</b>
2.1 Mechanical	<b>9</b>
2.2 Rear I/O's	<b>10</b>
2.3 Front Panel Controls, Indicators	<b>12</b>
2.4 Operation	<b>13</b>
2.5 Menu Settings	<b>15</b>

**WARRANTY** - The following warranty applies to all Cross Technologies, Inc. products.

All Cross Technologies, Inc. products are warranted against defective materials and workmanship for a period of one year after shipment to customer. Cross Technologies, Inc.'s obligation under this warranty is limited to repairing or, at Cross Technologies, Inc.'s option, replacing parts, subassemblies, or entire assemblies. Cross Technologies, Inc. shall not be liable for any special, indirect, or consequential damages. This warranty does not cover parts or equipment which have been subject to misuse, negligence, or accident by the customer during use. All shipping costs for warranty repairs will be prepaid by the customer. There are not other warranties, express or implied, except as stated herein.



6170 Shiloh Road  
Alpharetta, Georgia 30005

(770) 886-8005  
FAX (770) 886-7964  
Toll Free 888-900-5588

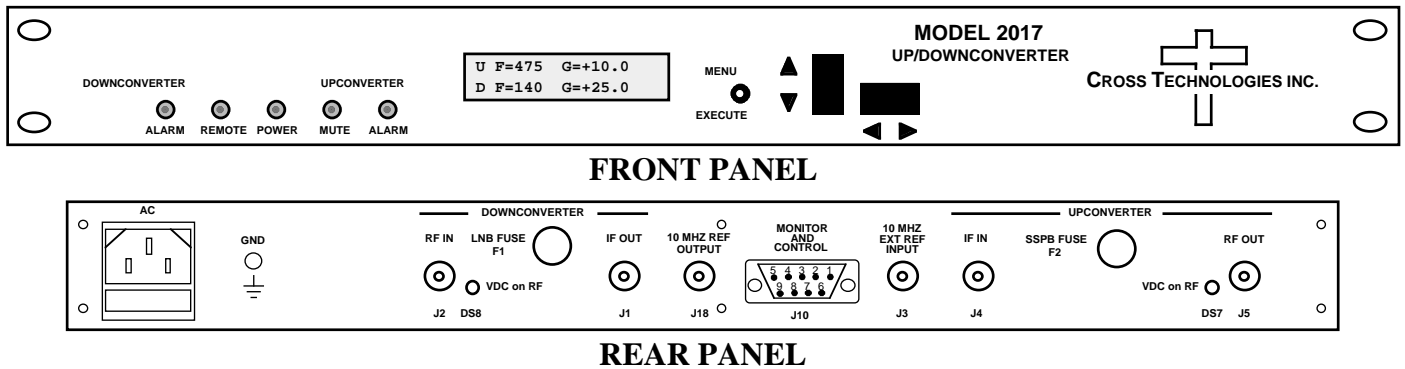
WEB [www.crosstechnologies.com](http://www.crosstechnologies.com)  
E-MAIL [info@crosstechnologies.com](mailto:info@crosstechnologies.com)

# MODEL 2017-1351 Up/Downconverter

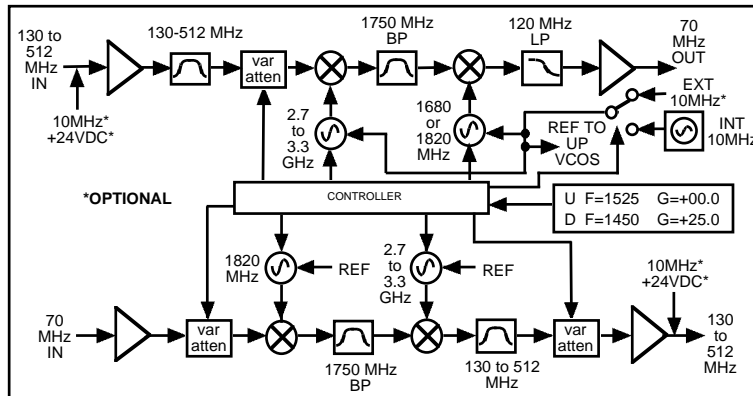
## 1.0 General

### 1.1 Equipment Description

The 2017-1351 L-band Up/Downconverter converts 70 MHz to 130-512 MHz (Up) and 130-512 MHz to 70 MHz (Down) in 1 MHz steps with low group delay and flat frequency response. Synthesized local oscillators (LO) provide frequency selection. Multi-function push button switches select the RF frequency, gain, and other parameters. Front panel LEDs provide indication of DC power (green), PLL alarm for up and downconverters (red), remote operation (yellow), and Upconverter mute (yellow). Gain can be manually controlled over a -10 to +30 dB range for the upconverter and over a 0 to +50 dB range for the downconverter as adjusted by the front panel multi-function push-button switches. Remote operation allows selection of frequency and gain. Parameter selection and frequency and gain settings appear on the LCD display. Connectors are BNC female for IF and the optional external reference input and output, and Type F female for RF. LNB or SSPB +24 VDC and 10 MHz reference can be inserted on the RF lines as added options. A high stability ( $\pm 0.01$  ppm) option is also available. It is powered by a 100-240  $\pm 10\%$  VAC power supply and housed in a 1.75" X 19" X 16" 1RU chassis.



**Figure 1.1 Model 2017-1351 Front and Rear Panels**



**Figure 1.2 Model 2017-1351 Up/Downconverter Block Diagram**

## 1.2 Technical Characteristics

**TABLE 1.0 2017-1351 Up/Downconverter Specifications\***

### -----UPCONVERTER-----

#### Input Characteristics (IF)

Impedance/Return Loss 75 Ω /18 dB  
 Frequency 70 ± 18 MHz  
 Input Level -40 to -10 dBm

#### Output Characteristics (RF)

Impedance/Return Loss 75 Ω/10 dB  
 Frequency 130 to 512 MHz  
 Output level -20 to 0 dBm  
 Output 1 dB compression +5 dBm

#### Channel Characteristics

Gain range (adjustable) -10 dB to +30 dB  
 Frequency Sense Non-inverting

### -----DOWNCONVERTER-----

#### Input Characteristics (RF)

Impedance/Return Loss 75 Ω /10 dB  
 Frequency 130 to 512 MHz  
 Noise Figure (max) 15 dB (max gain)  
 Input Level -70 to -20 dBm  
 Input 1 dB compression -15 dBm

#### Output Characteristics (IF)

Impedance/Return Loss 75 Ω/18 dB  
 Frequency 70 ± 18 MHz  
 Output level/max linear -20 dBm/-10 dBm  
 Output 1 dB compression -5 dBm

#### Channel Characteristics

Gain range (adjustable) 0 dB to +50 dB, 1dB steps  
 Image Rejection > 50 dB, min  
 Freq Sense (selectable) Inverting/Non-inverting

### -----UP AND DOWNCONVERTER-----

#### Channel Characteristics

Frequency Response ±1.5 dB, in band, ± 0.5 dB, 36 MHz BW  
 Spurious Response <-50 dBC  
 Group Delay (max) 0.01 ns/MHz<sup>2</sup> parabolic; 0.03 ns/MHz linear; 1 ns ripple

#### Synthesizer Characteristics

Frequency Accuracy ± 1.0 ppm internal reference (±0.01 ppm, **option H**)  
 Frequency Step 1 MHz (125 kHz, **option X**)  
 10 MHz In/Out Level 3 dBm ± 3 dB

Phase Noise @ Freq	100 Hz	1kHz	10kHz	100kHz	1MHz
dBC/Hz	-70	-70	-80	-90	-100

#### Controls, Indicators

Frequency Selection Direct readout LCD; manual or remote selection  
 Gain Selection Direct readout LCD; manual or remote selection  
 Power Green LED  
 Down/Up Alarm Red LED  
 Up Mute Yellow LED  
 Remote Yellow LED; RS232C, 9600 baud  
 (RS485, **option -Q**, Ethernet M&C Remote Interface, **option-W8**)

#### Other

RF Connectors Type F (female) (see Table 2.2 for connector options)  
 IF Connectors BNC (female) (see Table 2.2 for connector options)  
 10 MHz Connectors BNC (female) (**option -E**)  
 Alarm/Remote Connector DB9 (female) - NO or NC contact closure on alarm  
 Size 19 inch, 1RU standard chassis 1.75”H X 16.0”D  
 Power 100-240 ±10% VAC, 47-63 Hz, 45 watts max

#### Options

-E External 10 MHz ref input & output w/ RF insertion  
 -H High Stability (±0.01ppm) internal reference  
 -L LNB Voltage, +24VDC, 0.5 amps  
 -V SSPB Voltage, +24VDC, 2.5 amps  
 -Q RS485 Remote Interface  
 -T Temperature Sensor  
 -W8 Ethernet M&C Remote Interface  
 -W18 Ethernet with SNMP M&C  
 -X 125 kHz frequency steps  
 -X1 100 kHz frequency steps

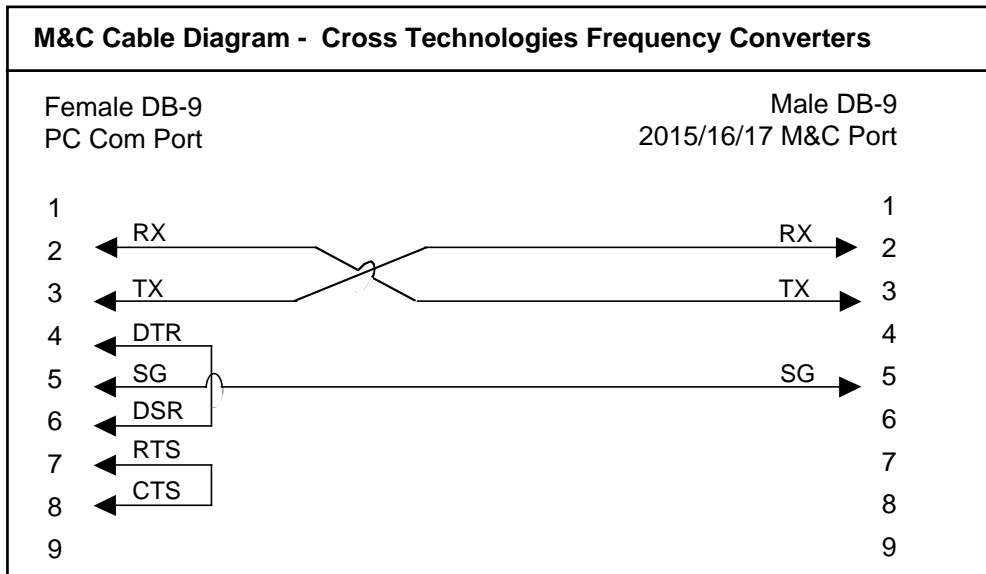
**Connectors/Impedance** See Table 2.2

\*+10°C to +40°C; Specifications subject to change without notice

### 1.3 Monitor and Control Interface

#### A) Remote serial interface

**Protocol:** RS-232C, 9600 baud rate, no parity, 8 data bits, 1 start bit, and 1 stop bit.  
(RS-232C, RS-422, or **RS-485 - option -Q**)



**Connector:** Rear panel, DB-9 male

J10 Pinouts (RS-232C/422/485)	
Pin	Function
1	Rx-
2	Rx+ (RS-232C)
3	Tx+ (RS-232C)
4	Tx-
5	GND
6	Alarm Relay: Common
7	Alarm Relay: Normally Open
8	Not Used
9	Alarm Relay: Normally Closed

## B) Status Requests

Table 1.1 lists the status requests for the 2017-1351 and briefly describes them.

\* PLEASE NOTE: The two character {aa}(00-31) prefix, in the table below, should be used ONLY when RS-485, (OPTION-Q), is selected.

Table 1.1 2017-1351 Status Requests		
Command	Syntax*	Description
Command Status	{aaS1}	Returns {aaS1bbbbccccddeeffLMNOP} where:
		• bbbb = Tx frequency 4 characters - standard (7 characters - Option-X)
		• cccc = Rx frequency 4 characters - standard (7 characters - Option-X)
		• ddd = Tx gain (-10 to 30)
		• ee = Rx gain (00 to 50)
		• ff = Tx input level (10 to 40 => -10 to -40 dBm)
		• L = 0 - non-inverted Receiver; L = 1 - inverted
		• M = 0 - Receiver synth alarm
		• N = 0 - Transmitter synth alarm
		• O = 0 - Summary alarm
		• P = 0 - Transmit signal disabled (muted)
External 10MHz (option -E)	{aaS2}	Returns {aaS2bcd} where:
		• b = 1 - External 10MHz selected
		• c = 1 - 10MHz inserted on upconverter RF (J5)
		• d = 1 - 10MHz inserted on downconverter RF (J2)
LNB Current (option -L)	{aaS3}	Returns {aaS3bb} where:
		• bb = LNB current, range 00 to 50 (0 to 500 ma)
SSPB Current (option -V)	{aaS4}	Returns {aaS4bbb} where:
		• bbb = SSPB current, range 000 to 250 (0 to 2500 ma)

## C) Commands

Table 1.2 lists the commands for the 2017-1351 and briefly describes them. After a command is sent the 2017-1351 sends a return “>” indicating the command has been received and executed.

**General Command Format** - The general command format is {aaCND...}, where:

- { = start byte
- aa = address (RS-485 only **option -Q**)
- C = 1 character, either C (command) or S (status)
- N = 1 character command or status request
- D = 1 character or more of data (depends on command)
- } = stop byte

\* PLEASE NOTE: The two character {aa}(00-31) prefix, in the table below, should be used ONLY when RS-485, (OPTION-Q), is selected.

Table 1.2 2017-1351 Commands		
Command	Syntax*	Description
Set Transmitter Frequency	{aaC1xxxx}	where: <ul style="list-style-type: none"> <li>• xxxx = 4 characters standard (7 characters -Option-X)</li> <li>• Range: 0950 to 1525 MHz</li> </ul>
Set Transmitter Input Level	{aaC1xx}	where: <ul style="list-style-type: none"> <li>• xx = 2 characters</li> <li>• Range: 10 to 40 (-10 to -40 dBm)</li> </ul>
Set Receiver Frequency	{aaC2xxxx}	where: <ul style="list-style-type: none"> <li>• xxxx = 4 characters standard (7 characters -Option-X)</li> <li>• Range: 0950 to 1525 MHz</li> </ul>
Set Transmit Gain	{aaC3xxxx}	where: <ul style="list-style-type: none"> <li>• xxxx = 2 or 3 characters</li> <li>• Range: -10 to 30 (-10 dB to 30 dB, in 1 dB steps)</li> </ul>
Set Receiver Gain	{aaC4xxx}	where: <ul style="list-style-type: none"> <li>• xx = 2 characters</li> <li>• Range: 00 to 50 (00 dB to 50 dB, in 1 dB steps)</li> </ul>
Enable Tx	{aaCAx}	where x =: <ul style="list-style-type: none"> <li>• 0 to disable Tx signal</li> <li>• 1 to enable Tx signal</li> </ul>
External 10MHz (option -E)	{aaCEx}	where x =: <ul style="list-style-type: none"> <li>• 0 to disable External 10MHz ref signal</li> <li>• 1 to enable External 10MHz ref signal</li> </ul>
Insert 10MHz on UP RF (option -E)	{aaC5x}	where x =: <ul style="list-style-type: none"> <li>• 0 to disable 10MHz upconverter insertion on RF (J5)</li> <li>• 1 to enable 10MHz upconverter insertion on RF (J5)</li> </ul>
Insert 10MHz on DOWN RF (option -E)	{aaC6x}	where x =: <ul style="list-style-type: none"> <li>• 0 to disable 10MHz downconverter insertion on RF (J2)</li> <li>• 1 to enable 10MHz downconverter insertion on RF (J2)</li> </ul>
Downconverter Spectrum	{aaC7x}	where x =: <ul style="list-style-type: none"> <li>• 0 for non-inverted</li> <li>• 1 for inverted</li> </ul>
Enable Remote	#	Just # sign
Disable Remote	{aaCRO}*}	{CR and zero}

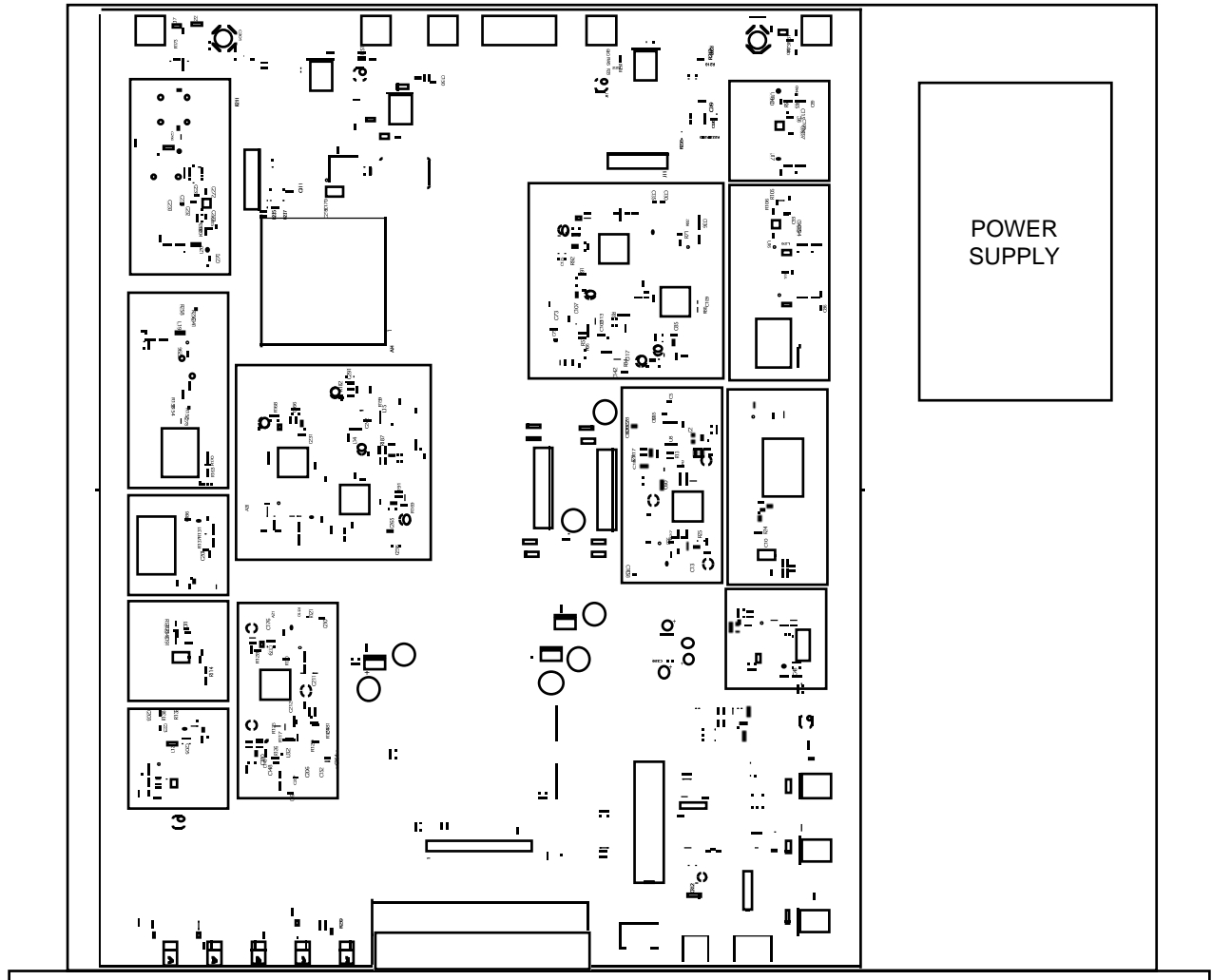
## 1.4 Environmental Use Information

- A. **Rack-Mounting** - To mount this equipment in a rack, please refer to the installation instructions located in the user manual furnished by the manufacturer of your equipment rack.
- B. **Mechanical Loading** - Mounting of equipment in a rack should be such that a hazardous condition does not exist due to uneven weight distribution.
- C. **Elevated Operating Ambient Temperature** - If installed in a closed or multi-unit rack assembly, the operating ambient temperature of the rack may be greater than room ambient temperature. Therefore, consideration should be given to Tmra.
- D. **Reduced Air Flow** - Installation of the equipment in a rack should be such that the amount of air flow required for safe operation of the equipment is not compromised. Additional space between units may be required.
- E. **Circuit Overloading** - Consideration should be given to the connection of the equipment to the supply circuit and the effect that overloading of circuits could have on over current protection and supply wiring. Appropriate consideration of equipment name plate rating should be used when addressing this concern.
- F. **Reliable Earthing** - Reliable earthing of rack-mounted equipment should be maintained. Particular attention should be given to supply connections other than direct connection to the Branch (use of power strips).
- G. **Top Cover** - There are no serviceable parts inside the product so, the Top Cover should not be removed. If the Top Cover is removed the ground strap and associated screw **MUST BE REINSTALLED** prior to Top Cover screw replacement. **FAILURE TO DO** this may cause **INGRESS** and/or **EGRESS** emission problems.

## 2.0 Installation

### 2.1 Mechanical

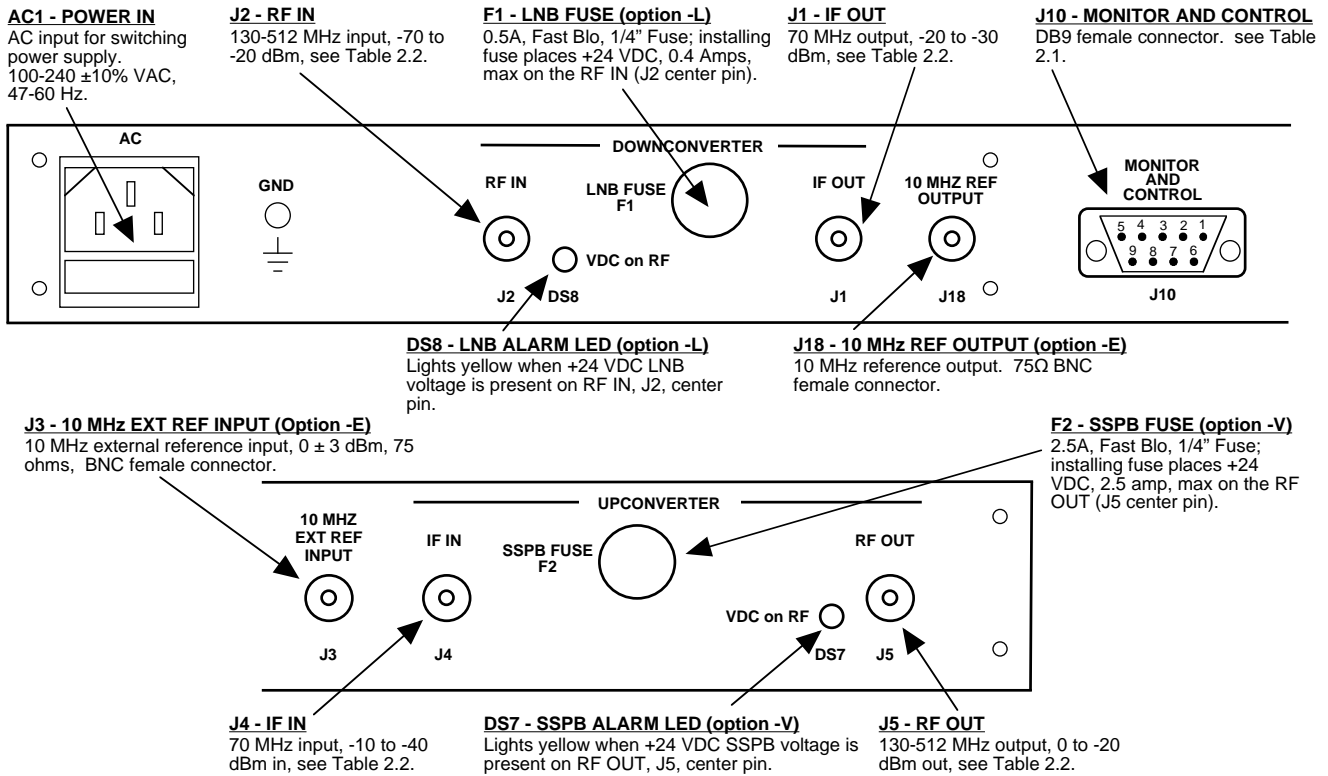
The 2017-1351 consists of one RF/Controller PCB housed in a 1 RU (1 3/4 inch high) by 16 inch deep chassis. A switching,  $\pm 12$ , +5, +24 VDC power supply provides power for the assemblies. The 2017-1351 can be secured to a rack using the 4 holes on the front panel. Figure 2.0 shows how the 2017-1351 is assembled.



**Figure 2.0 Model 2017-1351 Mechanical Assembly**

## 2.2 Rear Panel Input/Output Signals and Control -

Figure 2.2 shows the input and output connectors on the rear panel.



**Figure 2.1 Model 2017-1351 Rear Panel I/O's**

Tables 2.1 & 2.2 shows the input and output connectors on the rear panel.

TABLE 2.1 J10 Pinouts (RS-232C/422/485*)	
Pin	Function
1	Rx-
2	Rx+ (RS-232C)
3	Tx+ (RS-232C)
4	Tx-
5	GND
6	Alarm Relay: Common
7	Alarm Relay: Normally Open
8	Not Used
9	Alarm Relay: Normally Closed

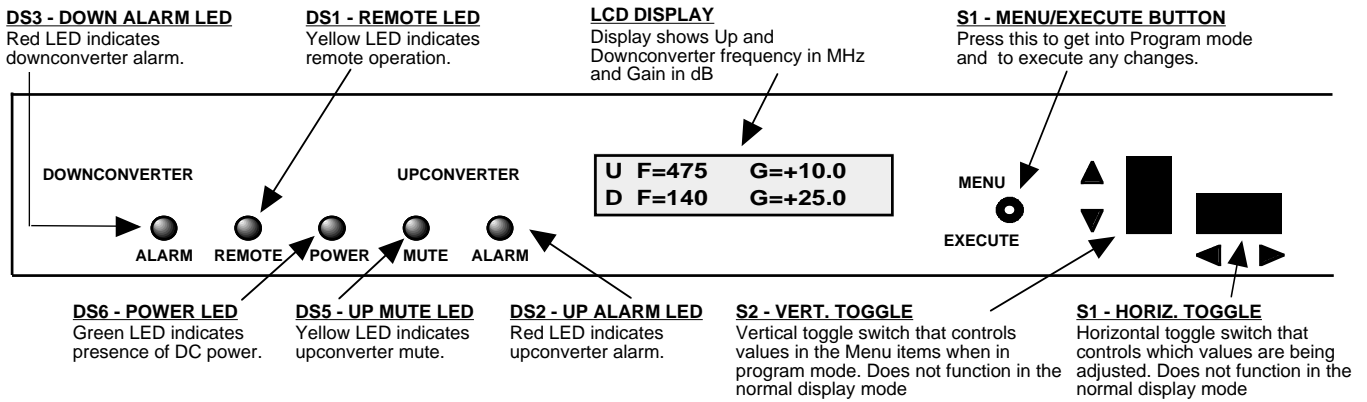
**\*Remote Serial Interface**

Interface: DB-9 Male -- Protocol: RS-232C (RS-232C/422/485 **option -Q**),  
9600 baud rate, no parity, 8 data bits, 1 start bit, 1 stop bit.

TABLE 2.2 IF/RF Connector Options		
Option	IF	RF
STD	BNC, 75Ω	Type F, 75Ω
-B	BNC, 75Ω	BNC, 75Ω
-C	BNC, 75Ω	BNC, 50Ω
-D	BNC, 50Ω	BNC, 50Ω
-J	BNC, 50Ω	Type F, 75Ω
-N	BNC, 75Ω	Type N, 50Ω
-M	BNC, 50Ω	Type N, 50Ω

### 2.3 Front Panel Controls and Indicators -

The following are the front panel controls and indicators.



**Figure 2.2 Model 2017-1351 Front Panel Controls and Indicators**

## 2.4 Installation / Operation

### 2.4.1 Installing and Operating the 2017-1351, Upconverter Section

- 1.) Connect a -40 dBm to -10 dBm signal to IF In, J4 (Figure 2.1).
- 2.) Connect the RF OUT, J5, to the external equipment.
- 3.) Connect 100-240  $\pm$ 10% VAC, 47 - 63 Hz to AC on the back panel.
- 4.) Set the desired output frequency (See Section 2.5 Menu Settings).
- 5.) Set the input level (See Section 2.5 Menu Settings).
- 6.) Set the gain (See Section 2.5 Menu Settings).
- 7.) (option -V) To power the SSPB (+24 VDC, 2.5 amps max) from the 2017-1351 install a 2.5 amp 1/4" fuse in F2.

**CAUTION!!! INSTALLING A FUSE IN F2 PUTS +24 VDC, 2.5 AMP POWER ON THE CENTER PIN AND MAY DAMAGE EQUIPMENT IF IMPROPERLY CONNECTED TO EQUIPMENT THAT CANNOT HANDLE THIS VOLTAGE OR HAS A DC PATH TO GROUND.**

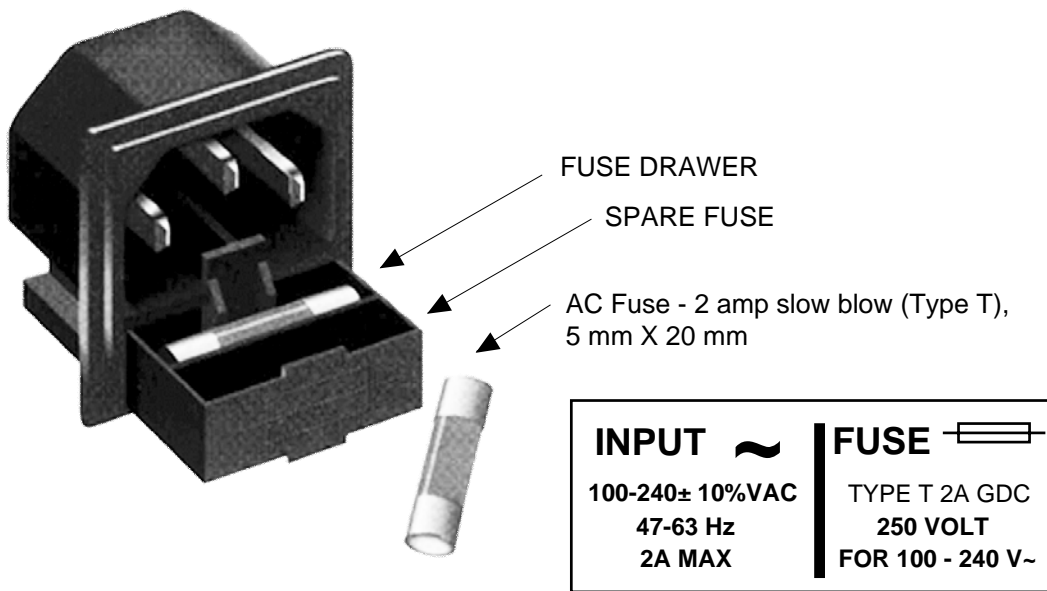
- 8.) Be sure DS6 (green, DC Power) is on and DS2 (red, Alarm) is off (Figure 2.2).

### 2.4.2 Installing and Operating the 2017-1351, Downconverter Section

- 1.) Connect a -70 dBm to -20 dBm signal to RF In, J2 (Figure 2.1).
- 2.) Connect the IF OUT, J1, to the external equipment.
- 3.) Connect 100-240  $\pm$ 10% VAC, 47 - 63 Hz to AC on the back panel.
- 4.) Set the desired input frequency (See Section 2.5 Menu Settings).
- 5.) Set the gain to get an output level in the 0 to -20 dBm range (See Section 2.5 Menu Settings).
- 6.) (option -L) To power the LNB (+24 VDC, 0.5 amps, max) from the 2017-1351 install a 1 amp 1/4" fuse in F1.

**CAUTION!!! INSTALLING A FUSE IN F1 PUTS +24 VDC, 0.5 AMP POWER ON THE CENTER PIN AND MAY DAMAGE EQUIPMENT IF IMPROPERLY CONNECTED TO EQUIPMENT THAT CANNOT HANDLE THIS VOLTAGE OR HAS A DC PATH TO GROUND.**

- 7.) Be sure DS6 (green, DC Power) is on and DS2 (red, Alarm) is off (Figure 2.2).
- 8.) **AC Fuse** - The fuse is a 5 mm X 20 mm, 2 amp slow blow (Type T) and is inserted in the far slot in the drawer below the AC input as shown in Figure 2.3. There is a spare fuse in the near slot. If a fuse continues to open, the power supply is most likely defective.



**Figure 2.3 Fuse Location and Spare Fuse**

## 2.5 Menu Settings

**2.5.1 Functions** - This section describes operation of the front panel controls. There are three operator switches, the LCD display and alarm indicator LEDs. All functions for the equipment are controlled by these components. The functions are (see Figure 2.2):

### Power Up

#### Normal Display

- Menu 1** Up Frequency in MHz
- Menu 2** Up Input Lvl (Set from -40 to -10)
- Menu 3** Up Gain (-10 to +30)
- Menu 4** Down Frequency in MHz
- Menu 5** Down Gain (set 0 to +50 for -20 to 0 dBm out range)
- Menu 6** Up Mute
- Menu 7** Set Unit to Remote Operation
- Menu 8** Set Downconverter Spectrum Sense
- Menu 9** Select External 10 MHz Ref (option -E)
- Menu 10** Upconverter Reference Out (option -E)
- Menu 11** Downconverter Reference Out (option -E)
- Menu 12** Set RS-485 mode (option -Q)
- Menu 13** Set RS-485 address (option -Q)
- Menu 14** View PCB Temperature (option -T)
- Menu 15** View LNB and/or SSPB Current (options -L and/or -V)

**Save Menu** At the end or when “R” is selected from any of the above menus

Alarm indications appear on the LEDs (see figure 2.2).

All program changes must start with the operation of the Menu/Execute switch and must also end with the operation of the Menu/Execute switch verified by the “Save Settings?” Menu. If this sequence is not followed, none of the changes will take effect. If programming is initiated and no operator action takes place for approximately 12 seconds (before the final press of the Menu/Execute switch) the display will revert to its previous status and you will need to start over.

## 2.5.2 Power-On Settings

**NOTE: THE LAST STATUS OF A UNIT IS RETAINED EVEN WHEN POWER IS REMOVED. WHEN POWER IS RESTORED, THE UNIT WILL RETURN TO IT'S PREVIOUS SETTINGS.**

When power is first applied, the LCD display goes through three steps.

1. The LCD goes black to show all segments are functioning.
2. The software version will be displayed.

REV 1 . 0 0
-------------

3. The present frequency and gain of the up and downconverter is shown.

U F = 475	G=+10.0
D F = 140	G=+20.0

The unit is now operational and ready for any changes the operator may desire.

## 2.5.3 Control Switches

1. Menu/Execute - Any change to the programming of the unit must be initiated by pressing the Menu/Execute switch and completed by pressing the Menu/Execute switch.
2. Horizontal Switch - This switch is mounted so its movement is horizontal and moves the cursor left or right.
3. Vertical Switch - This switch is mounted so its movement is vertical and has two functions:
  - a. During frequency , gain, input level changes, the vertical movement will raise or lower the number in the direction of the arrows.
  - b. For other functions such Mute on/off, the vertical switch will alternately turn the function on or off regardless of the direction operated.

## 2.5.4 Frequency Changes

At any time during the modification process, if you have made a mistake and do not wish to save the changes you have made, **do not press the Menu/Execute switch**; simply do nothing for approximately 12 seconds, and the system will return to the normal operating mode or scroll to “**R**” and push the menu/Execute switch and select “**NO**” in the “**SAVE SETTINGS?**” window.

To change the FREQUENCY:

Operate the Menu/Execute switch until you get to the menu item you want to change (see Figure 2.4 for the sequence of menu options). The following display is for changing the upconverter frequency:

UP F = 4 <u>7</u> 5	R
---------------------	---

Pressing the Up/Down switch down will toggle the display to:

UP F = 5 <u>7</u> 5	R
---------------------	---

By using the horizontal rocker switch the cursor can be moved left or right.

UP F = 57 <u>5</u>	R
--------------------	---

**NOTE: CHANGES DO NOT TAKE PLACE ON FREQUENCY UNTIL YOU GO TO THE SAVE MENU AND INDICATE YOU WANT TO SAVE THE CHANGES.**

When the display indicates the value desired you can push the Menu/Execute switch to the next item:

UP INLVL = -2 <u>0</u>	R
------------------------	---

**NOTE: CHANGES TAKE PLACE ON LEVEL AND GAIN IMMEDIATELY BUT DO NOT GET SAVED UNTIL YOU GO TO THE SAVE MENU AND INDICATE YOU WANT TO SAVE THE CHANGES.**

OR you can scroll to “R”, push the Menu/Execute switch to get to:

SAVE SETTINGS?	<u>Y</u> N
----------------	------------

Selecting **Y** will save the new settings. Selecting **N** will revert to the previous settings.

Pushing the Menu/Execute switch then takes you to the :

U F = 475	G=+10.0
D F = 140	G=+20.0

Figure 2.4 shows all the menu items and how to make changes.

## 2.5.5 Gain Changes

When you get to this menu note that the gain changes will be made as you make them but if you do not wish to save the changes you have made, scroll to “**R**” and push the menu/Execute switch and select “**NO**” in the “**SAVE SETTINGS?**” window or **do not press the Menu/Execute switch**; simply do nothing for approximately 12 seconds, and the system will return to the normal operating mode.

### 2.5.5.1 Upconverter Gain

To set the upconverter gain, first push the Menu/Execute switch to get to the gain setting:

Operate the Menu/Execute switch until you get to the menu item you want to change see Figure 2.4 for the sequence of menu options.

The following display is for changing the upconverter input level. This is an important setting to optimize spurious and should be made as accurately as possible:

UP INLVL = -20	R
----------------	---

Pressing the Up/Down switch to change the level in 1 dB steps and then push the Menu/Execute switch to get to the Gain setting:

UP G = +20.0	R
--------------	---

By using the horizontal rocker switch the cursor can be moved left or right .

Pressing the Up/Down switch down will toggle the display digit selected until you have the desired gain.

**NOTE: THE GAIN WILL BE CHANGED AS YOU ADJUST THE NUMBERS. HOWEVER, THE VALUE WILL NOT BE STORED UNTIL YOU INDICATE YES IN THE SAVE SETTINGS WINDOW. DO NOT SET A GAIN THAT WOULD EXCEED A 0 dBm OUTPUT LEVEL.**

When the display indicates the value desired you can push the Menu/Execute switch to the next item OR you can scroll to “**R**”, push the Menu/Execute switch to get to:

SAVE SETTINGS?	<u>Y</u> N
----------------	------------

Selecting **Y** will save the new settings. Selecting **N** will revert to the previous settings.

Pushing the Menu/Execute switch then takes you to the :

U F = 475	G=+10.0
D F = 140	G=+20.0

Figure 2.4 shows all the menu items and how to make changes.

### 2.5.5.2 Downconverter Gain

To set the downconverter gain, first push the Menu/Execute switch to get to the gain setting:

Operate the Menu/Execute switch until you get to the menu item you want to change see Figure 2.4 for the sequence of menu options.

The following display is for changing the downconverter gain. This is an important setting to optimize spurious and should be made as accurately as possible to provide an output in the -20 to 0 dBm level range:

DN G = + <u>3</u> 0.0	R
-----------------------	---

Pressing the Up/Down switch to change the level in 1 or 10 dB steps. By using the horizontal rocker switch the cursor can be moved left or right. Pressing the Up/Down switch down will toggle the display digit selected until you have the desired gain.

**NOTE: THE GAIN WILL BE CHANGED AS YOU ADJUST THE NUMBERS. HOWEVER, THE VALUE WILL NOT BE STORED UNTIL YOU INDICATE YES IN THE SAVE SETTINGS WINDOW.**

When the display indicates the value desired you can push the Menu/Execute switch to the next item OR you can scroll to “R”, push the Menu/Execute switch to get to:

SAVE SETTINGS?	<u>Y</u> N
----------------	------------

Selecting **Y** will save the new settings. Selecting **N** will revert to the previous settings.

Pushing the Menu/Execute switch then takes you to the :

U F = 475	G=+10.0
D F = 140	G=+20.0

Figure 2.4 shows all the menu items and how to make changes.

### 2.5.5.3 Alarm Indications

An alarm condition will occur if any local oscillator phase lock loop (PLL) comes out of lock.

	ON POWER UP		
<b>Power Up</b>	REV 1.00		
<hr/>			
	NORMAL DISPLAY		
<b>Normal Display</b>	U F = 475 G = +10.0 D F = 140 G = +25.0		PUSH BUTTON
<hr/>			
	PUSHING MENU/EXECUTE SEQUENCE		
<b>Menu 1</b> Up Frequency	UP F = 475 R	SCROLL <> SCROLL ⬇	PUSH BUTTON
<b>Menu 2</b> Up Input Level (Set from -40 to -10)	UP INLVL = -20 R	SCROLL <> SCROLL ⬇	PUSH BUTTON
<b>Menu 3</b> Up Gain (-10 to +30)	UP G = +10.0 R	SCROLL <> SCROLL ⬇	PUSH BUTTON
<b>Menu 4</b> Down Frequency	DN F = 140 R	SCROLL <> SCROLL ⬇	PUSH BUTTON
<b>Menu 5</b> Down Gain (set 0 to +50 for -20 to 0 dBm out level)	DN G = +25.0 R	SCROLL <> SCROLL ⬇	PUSH BUTTON
<b>Menu 6</b> Up Mute	UP MUTE OFF R	SCROLL <> SCROLL ⬇	PUSH BUTTON
<b>Menu 7</b> Set Unit to Remote Operation	REMOTE OFF R	SCROLL <> SCROLL ⬇	PUSH BUTTON
<b>Menu 8</b> Set Downconverter Spectrum Sense	DNSPECTRUM NON R	SCROLL <> SCROLL ⬇	PUSH BUTTON
<b>Menu 9</b> Select External 10 MHz Reference (option -E)	EXT REF OFF R	SCROLL <> SCROLL ⬇	PUSH BUTTON
<b>Menu 10</b> Select Upconverter Reference Out (option -E)	UP REF OUT OFF R	SCROLL <> SCROLL ⬇	PUSH BUTTON
<b>Menu 11</b> Select Downconverter Reference Out (option -E)	DN REF OUT OFF R	SCROLL <> SCROLL ⬇	PUSH BUTTON
<b>Menu 12</b> Set Remote Mode (option -Q)	RS 485 OFF R	SCROLL <> SCROLL ⬇	PUSH BUTTON
<b>Menu 13</b> Set RS-485 Address (option -Q)	ADDRESS = 00 R	SCROLL <> SCROLL ⬇	PUSH BUTTON
<b>Menu 14</b> View PCB Temperature (option -T)	TEMP = 35 DEG R	SCROLL <>	PUSH BUTTON
<b>Menu 15</b> View LNB current and SSPB current (options -L, -V)	LNB DC = 0.32 A R SSB DC = 1.86 A	SCROLL <>	PUSH BUTTON
<b>Save Settings?</b> At the end or when "R" is selected from any of the above menus	SAVE SETTINGS? Y N	SCROLL <>	PUSH BUTTON

**Figure 2.4 Menu Display and Sequence**



6170 Shiloh Road  
Alpharetta, Georgia 30005

(770) 886-8005  
FAX (770) 886-7964  
Toll Free 888-900-5588

WEB [www.crosstechnologies.com](http://www.crosstechnologies.com)  
E-MAIL [info@crosstechnologies.com](mailto:info@crosstechnologies.com)

Printed in USA