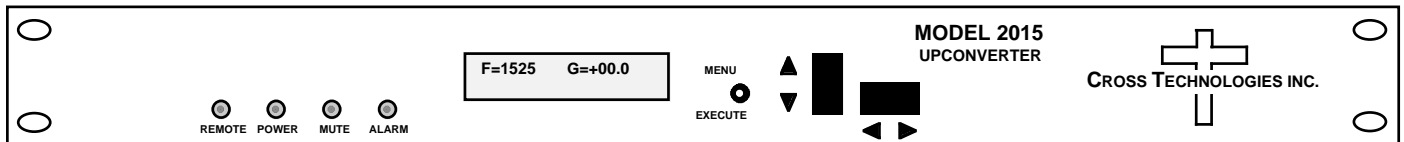


Instruction Manual

Model 2015-05 Upconverter

January 2007 Rev D



Data, drawings, and other material contained herein are proprietary to Cross Technologies, Inc., but may be reproduced or duplicated without the prior permission of Cross Technologies, Inc. for purposes of operating the equipment.

When ordering parts from Cross Technologies, Inc., be sure to include the equipment model number, equipment serial number, and a description of the part.



6170 Shiloh Road
Alpharetta, Georgia 30005

(770) 886-8005
FAX (770) 886-7964
Toll Free 888-900-5588

WEB www.crosstechnologies.com
E-MAIL info@crosstechnologies.com

INSTRUCTION MANUAL
MODEL 2015-05 Upconverter

<u>TABLE OF CONTENTS</u>	<u>PAGE</u>
Warranty	2
1.0 General	3
1.1 Equipment Description	3
1.2 Technical Characteristics	4
1.3 Monitor & Control Interface	5
2.0 Installation	7
2.1 Mechanical	7
2.2 Rear I/O's	8
2.3 Front Panel Controls, Indicators	9
2.4 Operation	10
2.5 Menu Settings	11

WARRANTY - The following warranty applies to all Cross Technologies, Inc. products.

All Cross Technologies, Inc. products are warranted against defective materials and workmanship for a period of one year after shipment to customer. Cross Technologies, Inc.'s obligation under this warranty is limited to repairing or, at Cross Technologies, Inc.'s option, replacing parts, subassemblies, or entire assemblies. Cross Technologies, Inc. shall not be liable for any special, indirect, or consequential damages. This warranty does not cover parts or equipment which have been subject to misuse, negligence, or accident by the customer during use. All shipping costs for warranty repairs will be prepaid by the customer. There are not other warranties, express or implied, except as stated herein.



6170 Shiloh Road
Alpharetta, Georgia 30005

(770) 886-8005
FAX (770) 886-7964
Toll Free 888-900-5588

WEB www.crosstechnologies.com
E-MAIL info@crosstechnologies.com

MODEL 2015-05 Upconverter

1.0 General

1.1 Equipment Description

The 2015-05 L-band Upconverter converts 140 ± 36 MHz to 950 to 1525 MHz in 1 MHz steps with low group delay and flat frequency response. Synthesized local oscillators (LO) provide frequency selection. Multi-function push button switches select the RF frequency, gain, and other parameters. Front panel LEDs provide indication of DC power (green), PLL alarm (red), Remote operation (yellow) or the TX carrier is Muted (yellow). Variable attenuators for the IF input and output provide a gain range of -10 to +30 dB as adjusted by the front panel multi-function pushbutton switches. Remote operation allows selection of frequency and gain. Parameter selection and frequency and gain settings appear on the LCD display. Connectors are BNC (female) for IF input and the optional 10 MHz external reference input and output (option -E), and type F (female) for the RF output. The 10 MHz option includes a 10 MHz output connector which contains either the internal or external 10 MHz reference signal. Table 2.2 shows other connector options. The 2015-05 is powered by a $100-240 \pm 10\%$ VAC power supply and is contained in a 1 3/4" X 19" X 16" rack mount chassis.

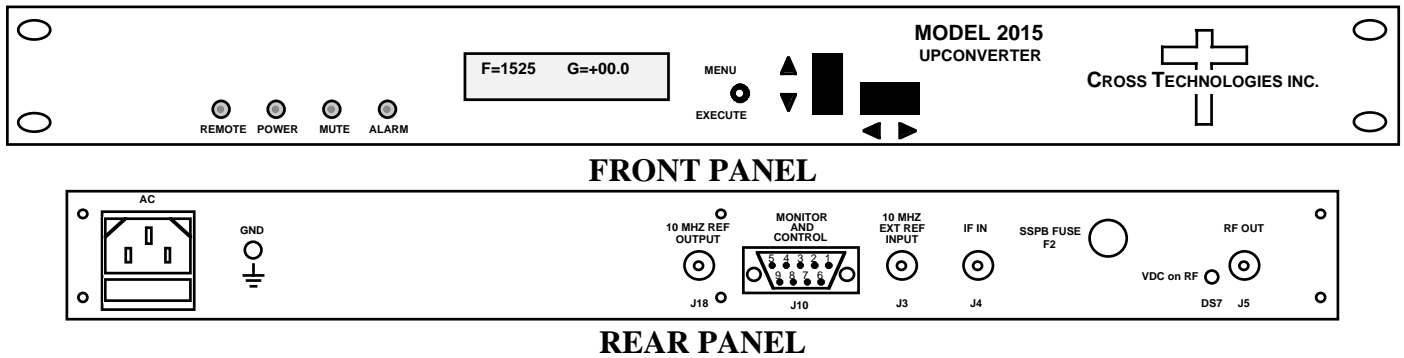


FIGURE 1.1 Model 2015-05 Front and Rear Panels

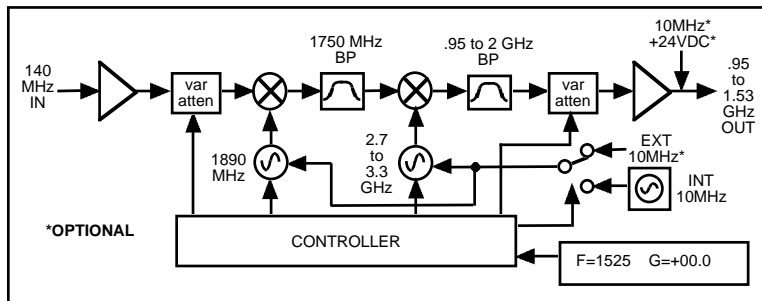


FIGURE 1.2 Model 2015-05 Upconverter Block Diagram

1.2 Technical Characteristics

TABLE 1.0 2015-05 Upconverter Specifications*

Input Characteristics

Impedance/Return Loss	75 Ω /18 dB (see TABLE 2.2 for connector options)
Frequency	140 ± 36 MHz
Input Level	-40 to -10 dBm

Output Characteristics

Impedance/Return Loss	75 Ω/12 dB (see TABLE 2.2 for connector options)
Frequency	950 - 1525 MHz
Output level	0 to -20 dBm
Output level/1 dB	+5 dBm

Channel Characteristics

Gain range (adjustable)	-10 to +30.0 dB
Spurious Response	<-50 dBC, with input level set correctly
Frequency Response	±1.5 dB, 950 -1525 MHz; ± 0.5 dB, 72 MHz BW
Group Delay, max	0.0035 ns/MHz ² parabolic; 0.025 ns/MHz linear; 1 ns ripple
Frequency Sense	Non-inverting

Synthesizer Characteristics

Frequency Accuracy	± 1.0 ppm max over temp (± 0.01 ppm option H) internal reference
Frequency Step	1.0 MHz minimum
10 MHz level	3 dBm, ± 3 dB (option E)

Phase Noise @ Freq	100 Hz	1kHz	10kHz	100kHz	1MHz
dBC/Hz	-70	-70	-80	-95	-110

Controls, Indicators

Frequency Selection	direct readout LCD; pushbutton switches or remote selection
Gain Selection	direct readout LCD; pushbutton switches or remote selection
Power	Green LED
Alarm	Red LED
Remote	Yellow LED; RS232C (RS485, option Q), 9600 baud
Mute	Yellow LED

Other

RF Connector	Type F (female) (see TABLE 2.2 for other options)
IF Connector	BNC (female) (see TABLE 2.2 for other options)
Ext 10 MHz Conn. (In/Out)	BNC (female), 50/75 Ω (option E)
Alarm/Remote Connector	DB9 - NO or NC contact closure on Alarm
Size	19 inch, 1RU standard chassis 1.75"high X 16.0" deep
Power	100-240 ±10% VAC, 47-63 Hz, 45 watts max

Options

E	Allows ext. 10 MHz ref input, 10 MHz ref can be inserted on the RF out
H	High Stability (± 0.01 ppm) internal reference
O	10 MHz Reference Adjust capability
V	SSPB +24 VDC, 2.5 Amps with readout of current
Q	RS485 Remote Interface
R	Redundant Power Supplies (NOT available on units with option V)
T	Temperature Sensor
Z	Attenuator 0.1 dB steps
X	125 kHz Frequency step size
Connector options	see TABLE 2.2

*+10 to +40 degrees C; Specifications subject to change without notice

1.3 Monitor and Control Interface

A) Remote serial interface

Protocol: RS-232C, 9600 baud rate, no parity, 8 data bits, 1 start bit, and 1 stop bit.
(RS-232C, RS-422, or RS-485 - **option Q**)

Connector: Rear panel, DB-9 female

J10 Pinouts (RS-232C/422/485)	
Pin	Function
1	Rx-
2	Rx+ (RS-232C)
3	Tx+ (RS-232C)
4	Tx-
5	GND
6	Alarm Relay: Common
7	Alarm Relay: Normally Open
8	Not Used
9	Alarm Relay: Normally Closed

B) Status Requests Table 1.1 lists the status requests for the 2015-05 and briefly describes them

TABLE 1.1 2015-05 Status Requests		
Command	Syntax *	Description
Command Status	{aaS1}	Returns {aaS1bbbbccddAM} where:
		• bbbb = Tx frequency
		• ccc = Tx gain
		• dd = Tx input level (10 to 40 => -10 to -40 dBm)
		• A = 0 - summary alarm
		• M = Tx RF Status (1 = Normal, 0 = Muted)
10 MHz Reference Status (option E only)	{aaS2}	Returns {aaS2ER} where:
		• E = Ext 10MHz Status (1 = on, 0 = off)
		• R = 10MHz RF insertion status (1 = inserted, 0 = NOT inserted)
SSPB Current (option V only)	{aaS4}	Returns {aaS4bbb} where:
		• bbb = SSPB current, range 000 to 250 (0 to 2500 mA)

* PLEASE NOTE: The Address (aa) should only be used when RS-485 is selected.

C) Commands Table 1.2 lists the commands for the 2015-05 and briefly describes them. After a command is sent the 2015-75 sends a return “>” indicating the command has been received and executed.

General Command Format - The general command format is {CND...}, where:

- { = start byte
- C = 1 character, either C (command) or S (status)
- N = 1-digit command or status number, 1 through 9
- D = 1 character or more of data (depends on command)
- } = stop byte

Table 1.2 2015-05 Commands		
Command	Syntax*	Description
Set Transmitter Frequency	{aaC1xxxx}	where: <ul style="list-style-type: none"> • xxxx = 4 characters • Range: 0950 to 2150 MHz
Set Input Level	{aaClxx}	where: <ul style="list-style-type: none"> • xx = 2 characters • Range: 10 to 40 (-10 to -40 dBm, in 1 dB steps)
Set Transmit Gain	{aaC3xxx}	where: <ul style="list-style-type: none"> • xxx = 2 characters (0 to 30dB), 3 characters (-10 to -1dB) • Range: -10 to 30 (-10 dB to +30 dB, in 1 dB steps)
Enable 10MHz RF Insertion (option E only)	{aaC5x}	where x =: <ul style="list-style-type: none"> • 0 to disable 10MHz RF insertion • 1 to enable 10MHz RF insertion
Enable Tx	{aaCAx}	where x =: <ul style="list-style-type: none"> • 0 to disable Tx signal • 1 to enable Tx signal
Enable External 10MHz (option E only)	{aaCEx}	where x =: <ul style="list-style-type: none"> • 0 to disable External 10MHz ref signal • 1 to enable External 10MHz ref signal
Enable Remote	#	Just # sign
Disable Remote	{aaCRO}	{CR and zero}

* PLEASE NOTE: The Address (aa) should only be used when RS-485 is selected.

2.0 Installation

2.1 Mechanical

The 2015-05 consists of one RF/Controller PCB housed in a 1 RU (1 3/4 inch high) by 16 inch deep chassis. A switching, ± 12 , +24, +5 VDC power supply provides power for the assemblies. The 2015-05 can be secured to a rack using the 4 holes on the front panel. Figure 2.0 shows how the 2015-05 is assembled.

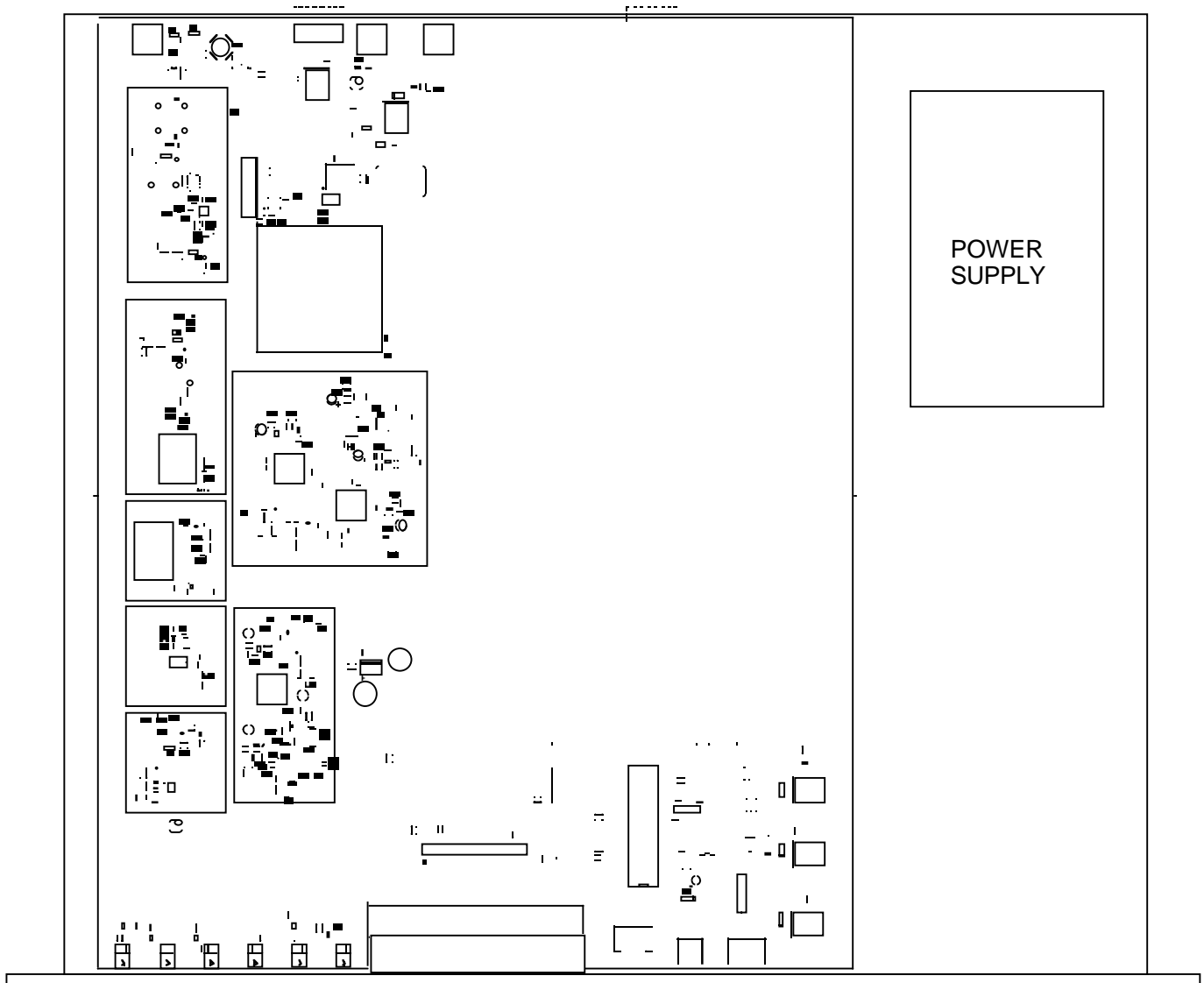


FIGURE 2.0 2015-05 Mechanical Assembly

2.2 Rear Panel Input/Output Signals - Figure 2.1 shows the input and output connectors on the rear panel.

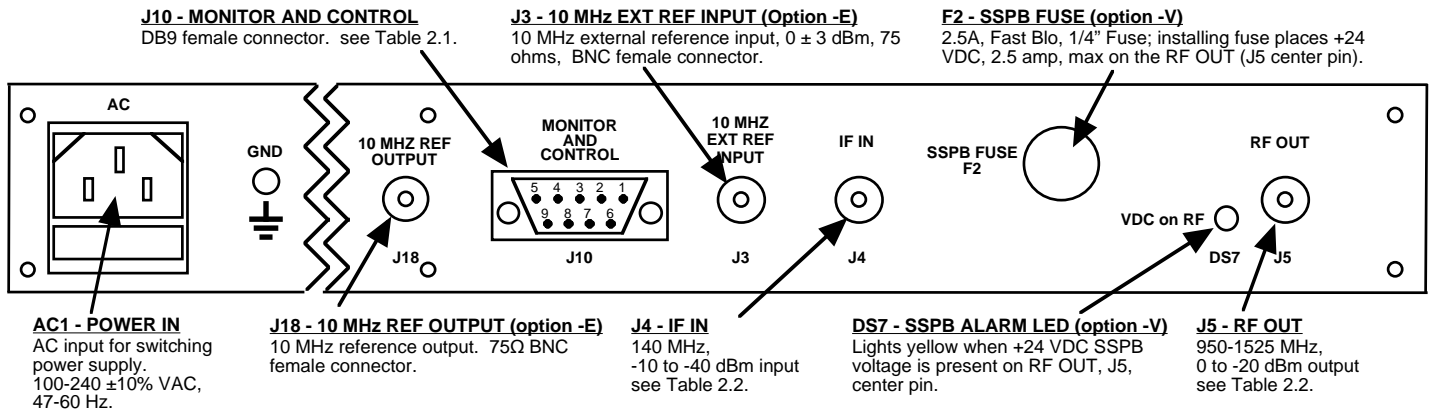


FIGURE 2.1 2015-05 Rear Panel I/O's

Pin	Function
1	Rx-
2	Rx+ (RS-232C)
3	Tx+ (RS-232C)
4	Tx-
5	GND
6	Alarm Relay: Common
7	Alarm Relay: Normally Open
8	Not Used
9	Alarm Relay: Normally Closed

*Remote Serial Interface

Interface: DB-9 Male

Protocol: RS-232C (RS-232C/422/485 **option Q**), 9600 baud rate, no parity, 8 data bits, 1 start bit, 1 stop bit.

Option	IF	RF
STD	BNC, 75 Ω	Type F, 75 Ω
B	BNC, 75 Ω	BNC, 75 Ω
C	BNC, 75 Ω	BNC, 50 Ω
D	BNC, 50 Ω	BNC, 50 Ω
F	Type F, 75 Ω	Type F, 75 Ω
J	BNC, 50 Ω	Type F, 75 Ω
K	BNC, 50 Ω	BNC, 75 Ω
M	BNC, 50 Ω	Type N, 50 Ω
N	BNC, 75 Ω	Type N, 50 Ω

2.3 Front Panel Controls and Indicators - The following are the front panel controls and indicators.

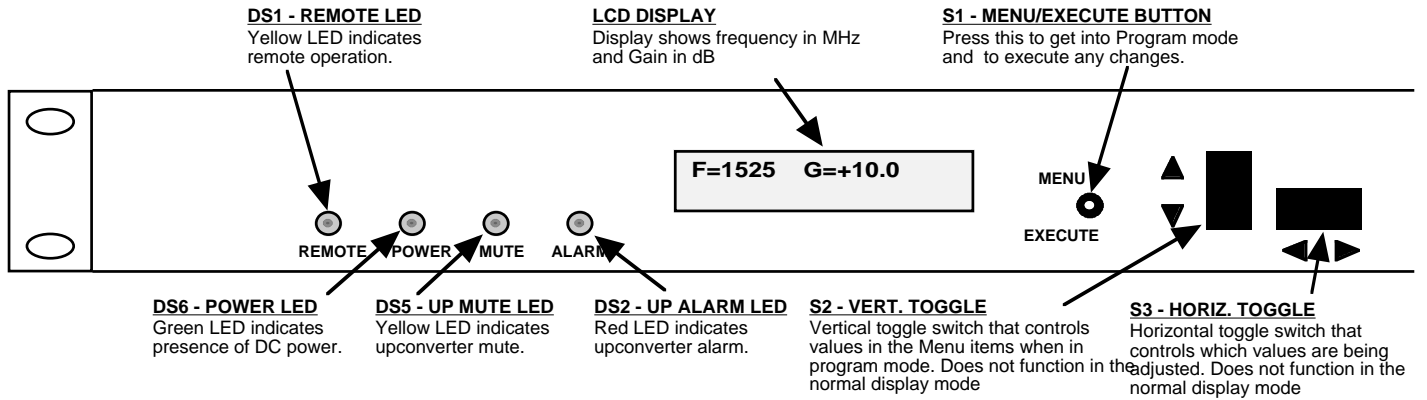


FIGURE 2.2 2015-05 Front Panel Controls and Indicators

2.4 Installation / Operation

2.4.1 Installing and Operating the 2015-05, Upconverter Section

1. Connect a -10 dBm to -40 dBm signal to IF IN, J4 (Figure 2.1).
2. Connect the RF OUT, J5, to the external equipment.
3. Connect 100-240 \pm 10% VAC, 47 - 63 Hz to AC1 on the back panel.
4. Set the desired output frequency (See Section 2.5 Menu Settings).
5. Set the input level (See Section 2.5 Menu Settings).
6. Set the gain for -10 to +30 dB. Make sure the output stays within -20 to 0 dBm with the gain selected and the input level provided. The firmware will prevent setting gain and input level outside this range. (See Section 2.5 Menu Settings).
7. Be sure DS6 (green, DC Power) is on and DS2 (red, Alarm) is off (Figure 2.2).
8. AC Fuse - The fuse is a 5 mm X 20 mm, 2 amp slow blow (Type T) and is inserted in the far slot in the drawer below the AC input as shown in Figure 2.3. There is a spare fuse in the near slot. If a fuse continues to open, the power supply is most likely defective.

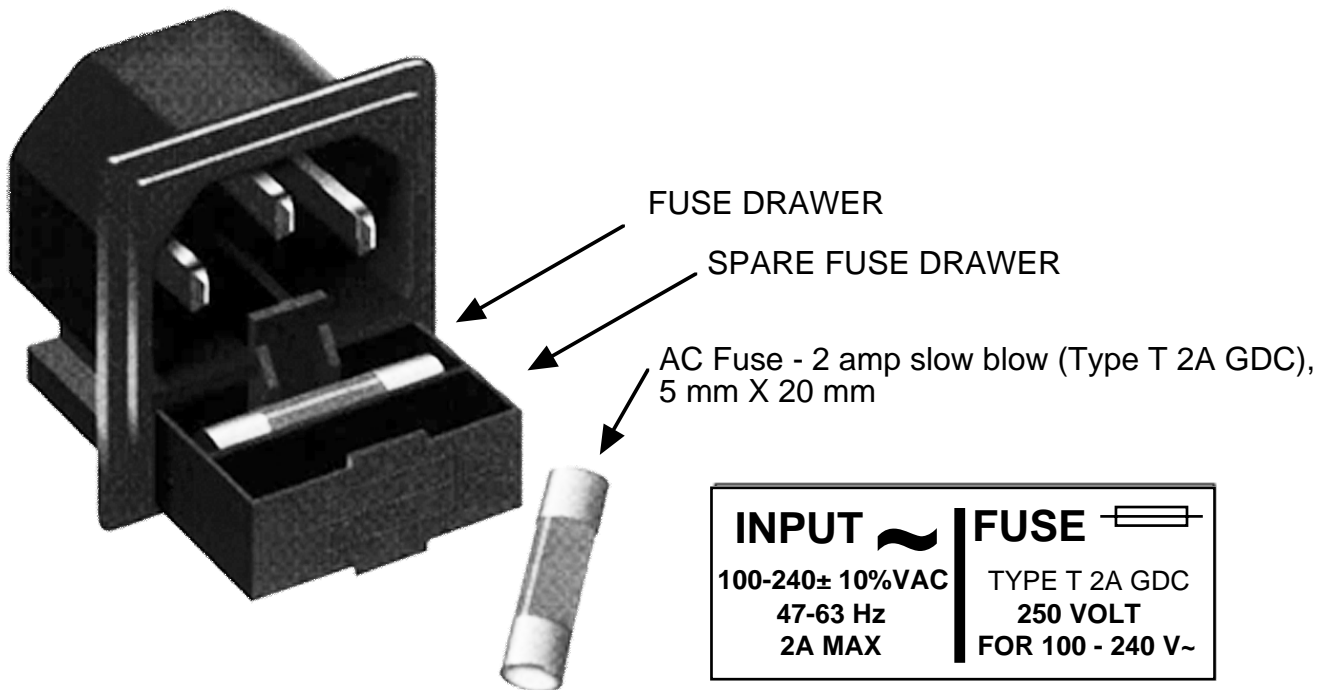


FIGURE 2.3 Fuse Location and Spare Fuse

2.5 Menu Settings

2.5.1 Functions - This section describes operation of the front panel controls. There are three operator switches, the LCD display and alarm indicator LEDs. All functions for the equipment are controlled by these components. The functions are (see Figure 2.4):

Power Up
Normal Display

Power Up
Normal Display

Menu 1 Frequency in MHz

Menu 2 Input Level (Set from -40 to -10)

Menu 3 Gain (-10 to +30, 1dB steps (0.1dB steps, option Z))

Menu 4 Up Mute

Menu 5 Set Unit to Remote Operation

Menu 6 Select External 10 MHz Ref (option E)

Menu 7 Select Reference Out (option E)

Menu 8 Set Remote mode (option Q)

Menu 9 Set RS-485 address (option Q)

Menu 10 View PCB Temperature (option T)

Menu 11 View SSPB Current (option V)

Save Menu When go to end

Alarm indications appear on the LEDs (see figure 2.2).

All program changes must start with the operation of the Menu/Execute switch and must also end with the operation of the Menu/Execute switch verified by the "Save Settings?" Menu. If this sequence is not followed, none of the changes will take effect. If programming is initiated and no operator action takes place for approximately 12 seconds (before the final press of the Menu/Execute switch) the display will revert to its previous status and you will need to start over.

2.5.2. Power On Settings

NOTE:The last status of a unit is retained even when power is removed. When power is restored, the unit will return to its previous settings.

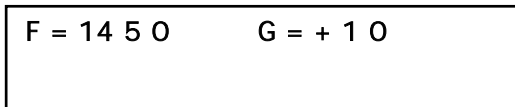
When power is first applied, the LCD display goes through three steps.

- 1.The LCD goes black to show all segments are functioning.
- 2.The software version will be displayed.



REV 1.00

- 3.The present frequency and gain of the upconverter is shown.



F = 1450 G = + 10

The unit is now operational and ready for any changes the operator may desire.

2.5.3 Control Switches

1. Menu/Execute - Any change to the programming of the unit must be initiated by pressing the Menu/Execute switch and completed by pressing the Menu/Execute switch.
2. Horizontal Switch - This switch is mounted so its movement is horizontal and moves the cursor left or right.
3. Vertical Switch - This switch is mounted so its movement is vertical and has two functions:
 - a. During frequency, gain changes, the vertical movement will raise or lower the number in the direction of the arrows.
 - b. For other functions such Mute on/off, the vertical switch will alternately turn the function on or off regardless of the direction operated.

2.5.4 Frequency Changes

At any time during the modification process, if you have made a mistake and do not wish to save the changes you have made, **do not press the Menu/Execute switch**; simply do nothing for approximately 12 seconds, and the system will return to the normal operating mode or scroll to “**R**” and push the menu/Execute switch and select “**NO**” in the “**SAVE SETTINGS?**” window.

To change the FREQUENCY:

Operate the Menu/Execute switch until you get to the menu item you want to change see Figure 2.4 for the sequence of menu options. The following display is for changing the upconverter frequency:

```
FREQ = 1 4 5 0      R
```

Pressing the Up/Down switch down will toggle the display to:

```
FREQ = 1 3 5 0      R
```

By using the horizontal rocker switch the cursor can be moved left or right .

```
FREQ = 1 3 5 0      R
```

NOTE: CHANGES DO NOT TAKE PLACE ON FREQUENCY UNTIL YOU GO TO THE SAVE MENU AND INDICATE YOU WANT TO SAVE THE CHANGES.THE CARRIER IS MUTED WHEN FREQUENCY IS CHANGED.

When the display indicates the value desired you can push the Menu/Execute switch to the next item:

```
UP IN LVL = - 2 0      R
```

OR you can scroll to “R”, push the Menu/Execute switch to get to:

```
SAVE SETTINGS? Y N
```

Selecting **Y** will save the new settings. Selecting **N** will revert to the previous settings.

Pushing the Menu/Execute switch then takes you to the :

```
F = 13 5 0      G = + 1 0
```

Figure 2.4 gives the menu items and how to make changes

2.5.5 Gain Changes

When you get to this menu note that the gain changes will be made as you make them but if you do not wish to save the changes you have made, scroll to “R” and push the menu/Execute switch and select “NO” in the “SAVE SETTINGS?” window or **do not press the Menu/Execute switch**; simply do nothing for approximately 12 seconds, and the system will return to the normal operating mode.

To change the UP CONVERTER GAIN, first push the Menu/Execute switch until you get to the gain setting:

The following display is for changing the upconverter input level. This is an important setting to optimize spurious and should be made as accurately as possible:

```
UP IN LVL = - 2 0      R
```

NOTE: CHANGES TAKE PLACE ON LEVEL AND GAIN IMMEDIATELY BUT DO NOT GET SAVED UNTIL YOU GO TO THE SAVE MENU AND INDICATE YOU WANT TO SAVE THE CHANGES.

Press the Up/Down switch to change the level in 1 dB steps and then push the Menu/Execute switch to get to the Gain setting:

```
G A I N = + 2 0      R
```

Pressing the Up/Down switch to change the gain in 1 or 10 dB steps and then push the Menu/Execute switch to get to the Gain setting:

```
G A I N = + 2 0      R
```

By using the horizontal rocker switch the cursor can be moved left or right .

Pressing the Up/Down switch down will toggle the display digit selected until you have the desired gain.

NOTE: THE GAIN WILL BE CHANGED AS YOU ADJUST THE NUMBERS. HOWEVER, THE VALUE WILL NOT BE STORED UNTIL YOU INDICATE YES IN THE SAVE SETTINGS WINDOW. DO NOT SET A GAIN THAT WOULD EXCEED 0 dBm OR HAVE LESS THAN -20 dBm OUTPUT LEVEL. THE FIRMWARE PREVENTS YOU FROM THIS.

When the display indicates the value desired you can push the Menu/Execute switch to the next item OR you can scroll to “R”, push the Menu/Execute switch to get to:

```
SAVE SETTINGS?  Y N
```

Selecting Y will save the new settings. Selecting N will revert to the previous settings.

Pushing the Menu/Execute switch then takes you to the :

```
F = 13 5 0      G = + 2 0
```

Figure 2.4 gives the menu items and how to make changes

2.5.5 Alarm Indications

An alarm condition will occur if any local oscillator phase lock loop (PLL) comes out of lock. The Mute LED will light if you select Mute and the Remote LED will light when you select the Remote mode.

Power Up	ON POWER UP REV 1.00		
Normal Display	NORMAL DISPLAY F = 1450 G = +10.0		PUSH BUTTON
	PUSHING MENU/EXECUTE SEQUENCE		
Menu 1 Frequency	F = 1 <u>4</u> 50 R	SCROLL <> SCROLL ◊	PUSH BUTTON
Menu 2 Input Level (Set from -40 to -10)	UP INLVL = -2 <u>0</u> R	SCROLL <> SCROLL ◊	PUSH BUTTON
Menu 3 Gain (-10.0 to +30.0)	G = +1 <u>0</u> .0 R	SCROLL <> SCROLL ◊	PUSH BUTTON
Menu 4 Up Mute	UP MUTE <u>O</u> FF R	SCROLL <> SCROLL ◊	PUSH BUTTON
Menu 5 For Other Settings (below)	OTHER? <u>Y</u> N R	SCROLL <> SCROLL ◊	PUSH BUTTON
Menu 6 Set Unit to Remote Operation	REMOTE <u>O</u> FF R	SCROLL <> SCROLL ◊	PUSH BUTTON
Menu 7 Select External 10 MHz Reference (option E)	EXT REF <u>O</u> FF R	SCROLL <> SCROLL ◊	PUSH BUTTON
Menu 8 Select 10MHz Reference Out (option E)	REF OUT <u>O</u> FF R	SCROLL <> SCROLL ◊	PUSH BUTTON
Menu 9 Set Remote Mode (option Q)	RS 485 <u>O</u> FF R	SCROLL <> SCROLL ◊	PUSH BUTTON
Menu 10 Set RS-485 Address (option Q)	ADDRESS = <u>00</u> R	SCROLL <> SCROLL ◊	PUSH BUTTON
Menu 11 View PCB temperature (option T)	TEMP = 35 DEG R	SCROLL <>	PUSH BUTTON
Menu 12 View SSPB current (option V)	SSB DC = 1.86 A R	SCROLL <>	PUSH BUTTON
Save? When "R" is selected from any above menu or at the end	SAVE SETTINGS? <u>Y</u> N	SCROLL <>	PUSH BUTTON

FIGURE 2.4 Menu Display and Sequences



6170 Shiloh Road
Alpharetta, Georgia 30005

(770) 886-8005
FAX (770) 886-7964
Toll Free 888-900-5588

WEB www.crosstechnologies.com
E-MAIL info@crosstechnologies.com