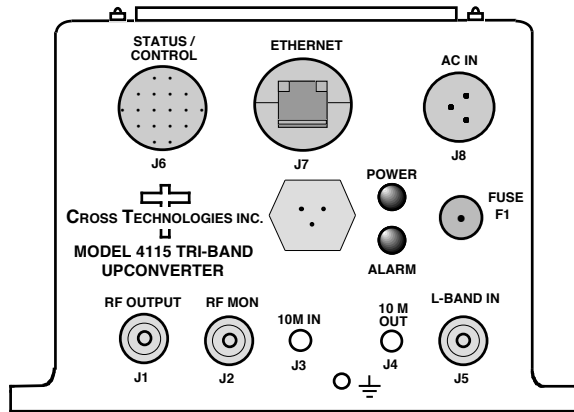


4115-31 Tri-Band Block Upconverter - Weather Resistant

The 4115-31 Block Upconverter converts 0.95 - 2.05 GHz to one of three RF bands. Front panel LEDs provide indication of DC Power, and PLL Alarm. The L-band to RF gain is +30 dB. Connectors are Type N for the L-band, RF and RF Monitor and SMA (all female) for the external reference input and reference output. Gain, band select, and internal 10 MHz frequency are controlled by the Ethernet M&C or via the Status/Control connector. **In AUTO, the 10 MHz reference stays in external if the external level is in the +2 to +8 dBm range.** The 4115 is powered by a 100-240 ± 10% VAC power supply, and mounted in a 8"W X 6"H X 16"D Weather Resistant* enclosure.



***Weather Resistant** enclosures are designed to be water resistant for installation in an outdoor enclosure/antenna hut OR mounted outdoors on an antenna assembly at their specified temperature ranges. They are designed to be located "out in the elements" (water, sleet, snow, etc.) but they are *not* designed to be "submerged under" water.

If an extended temperature range is required, there is an **Extended Temperature** option (**Option W21**; -30°C to +60°C) available at an additional cost. Contact Cross for quote.

EQUIPMENT SPECIFICATIONS*

Input Characteristics

Impedance/Return Loss 50Ω/14 dB
 Frequency 0.95 to 2.05 GHz
 Noise Figure, Max. 20 dB max gain
 Input Level range -40 to -15 dBm

Output Characteristics

Impedance/Return Loss 50 Ω /14 dB, **Mute & UnMute**
 Frequency (GHz) BAND1-5.85 to 6.95
 BAND2-13.75 to 14.85
 BAND3-17.3 to 18.4

Output Level Range -15 to 0 dBm
 Output 1 dB compr. +10 dBm, **max gain**
Mute >60 dB @ 0 dBm output

Channel Characteristics

Gain at **F_c** +30 ±3 dB, (+30 to 0 dB variable in 0.5dB steps)
 Spurious, Inband SIGNAL RELATED<-55 dBC in band, -15 to 0 dBm out; SIGNAL INDEPENDENT,<-60 dBm
 Spurious, Out of band <-55 dBm; **F_c ± 1 GHz**
 Intermodulation <-50 dBC for two carriers at **4 MHz spacing**, each at -5 dBm out, **max gain**
 Frequency Response ±2 dB, over RF band; ± 0.5 dB, 40 MHz BW
 Frequency Sense Non-inverting

LO Characteristics

LO Frequency Band Specific
 Frequency Accuracy ± 0.05 ppm max over temp internal reference; ext. ref. input
 10 MHz level In/Mon +2 to +8 dBm in; Monitor Output = input level ± **1.0 dB**, 50 ohms

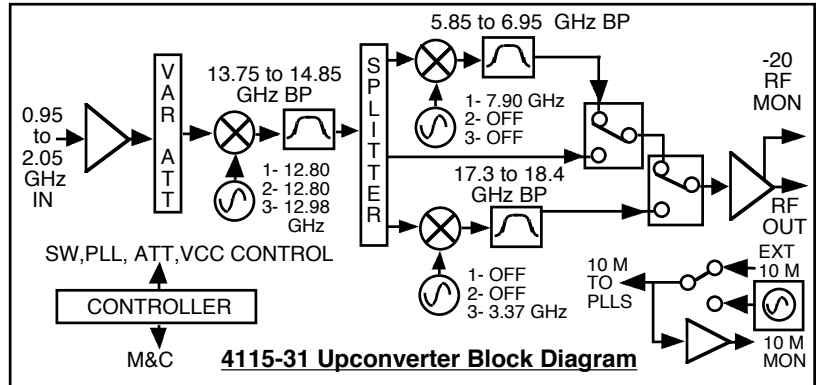
Phase Noise @ F (Hz) >	100	1K	10K	100K	1M
dBC/Hz	-70	-80	-85	-98	-110

Controls, Indicators

Gain, Band, 10M Freq. Gain, band select, and internal 10 MHz frequency via Ethernet M&C or Status/Control connector.
 PLL Alarm Red LED, External contact closure
 Power Green LED

Other

RF In, Mon. Connector Type N (female), 50Ω
 L-Band Connector Type N (female), 50Ω
 10 MHz connectors SMA (female), 50Ω
 Status/Control Conn. Multipurpose MS3116F14-18P
 Ethernet Connector Standard RJ45 Weather Resistant* Ethernet Connector
 Size 8"W X 6"H X 16"D Weather Resistant* Enclosure
 Power 100-240 ±10% VAC, 47 - 63 Hz, **25 watts max.**/ FCI Clipper Series CL1M1102 Connector



*+0 to +50 degrees C; Specifications subject to change without notice