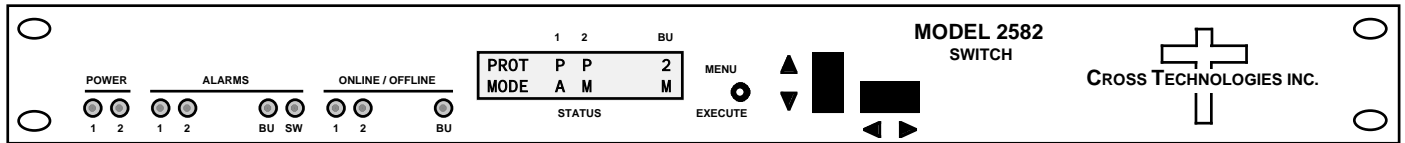


2582-126 Backup Switch, 1 for 2

The 2582-126 1 for 2 Switch provides Auto, Remote, or Manual backup protection for up to 2 block converters by using RF transfer switches (to 15 GHz) for signals from a backup unit to any of the 2 online units. The 2582-126 provides transfer switches for both the IF & RF paths and works with standard Cross block up and downconverters by polling their monitor and control ports on a periodic basis. A defective unit's inputs and outputs are switched from the failed unit to the backup unit either automatically (when an alarm is detected from the failed unit), remotely or manually. Manual switching overrides Remote and Auto switching, while Remote switching overrides Auto switching. Manual selection is made by the front panel multi-function, push-button switches. Remote selection is made via a rear panel female DB9 connector. The 2582-126 is powered by redundant 100-240 ($\pm 10\%$) VAC power supplies and is housed in a 1 3/4" X 19" X 16" 1RU rack mount chassis.



Front Panel

EQUIPMENT SPECIFICATIONS*

IF (L-band) / RF Switch Characteristics

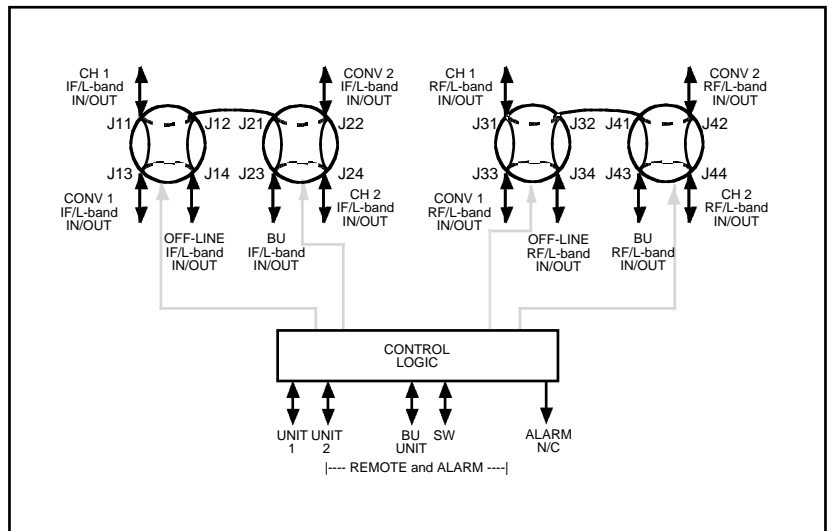
Impedance	50 Ω
Return Loss	> 12 dB
Type	RF Transfer
Isolation	> 60 dB, to 15 GHz
Switch time	≤ 100 milliseconds
Insertion Loss	≤ 1.5 dB, to 8 GHz; ≤ 2.0 dB, to 15 GHz
Configuration	1 for 2, no termination

Controls, Indicators

Manual Selection	Push-button switches
Remote Selection	RS 232C, 9600 baud (RS 422/485, Option Q)
Power	Green LEDs
Alarms	Red LEDs
Online/Offline	Green LEDs

Other

RF Connectors	SMA (female)
Alarm/Remote Conn's	DB9 (female)
Size	19 inch, 1RU standard chassis 1.75" high X 16.0" deep
Power	100-240 ($\pm 10\%$) VAC, 47-63 Hz, 45 watts max; Redundant power supplies



Block Diagram

*+10°C to +40°C; Specifications subject to change without notice