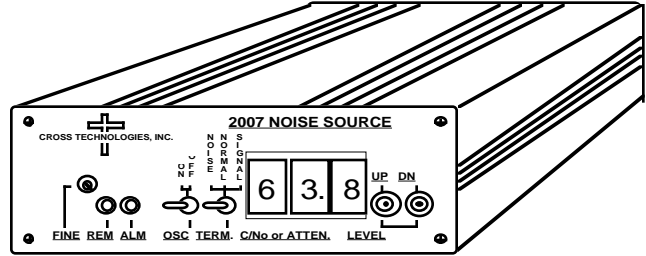


## 2007, 2007R Noise Source

The Model 2007 Noise Source provides 70 MHz band limited noise in 0.1dB increments and summing of an external signal.

### EQUIPMENT FEATURES

- 10MHz or 40 MHz bandwidth at 70 MHz center frequency
- Accurate attenuator provides 0.1 dB steps of noise power
- Display shows C/No or attenuation from max. noise power



### EQUIPMENT DESCRIPTION

Broad band noise goes to precision attenuators controlled by front panel “up” and “down” pushbutton switches via the microprocessor controller. The front panel display shows C/No or attenuation of the noise from a 50 dB- Hz C/No level calibrated for a -20.0 dBm carrier level. Bandpass filters are selected with on board jumpers to band limit the noise at 70 MHz. The 2007 has a front panel red LED that lights if the ambient temperature is outside the +15 to +40 C calibrated temperature range. A yellow LED on the front panel indicates if in remote operation.

### EQUIPMENT SPECIFICATIONS\*

#### Input Characteristics- carrier input

Input Impedance/RL	75 Ω/15db
Frequency	70 MHz center
Input Level	-20.0 dBm
Gain	0 dB ± 0.1 dB

#### Output Characteristics

Impedance/RL	75 Ω/15db
Frequency Band	52 - 88 MHz

allows C/No range of 50 to 90 dB-Hz  
(with 10 MHz filter; 60 to 90 dB-Hz with 40 MHz filter) with a -20.0 dBm carrier

Monitor level  
Level -10dB down from main output  
noise power range

#### Channel Characteristics - noise source

Selectable BW(MHz)	10MHz or 40 MHz @ 70MHz
Frequency Response	±0.5 dB 8 MHz, 36MHz
Noise Power Accuracy	±0.25 dB, 15 to 40 deg C; ±0.5 dB, 10 to 15, 40 to 50 deg C
Noise Power stability	±0.5 dB, 15 to 40 deg C, 30 days

#### Controls

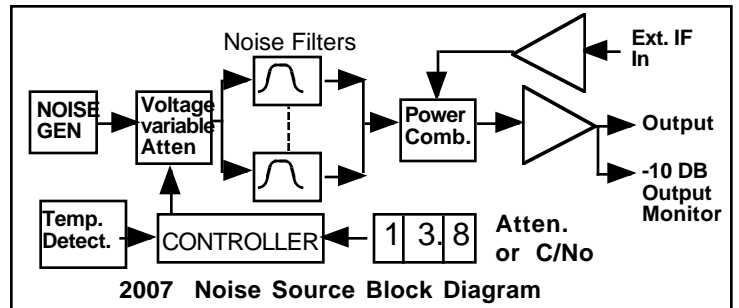
Test Carrier	Toggle switch turns reference 70 MHz carrier on and off
Term Noise or Carrier	Toggle switch terminates noise or external signal
Output Level	Potentiometer for Noise calibration
Attenuation	PB switches w/ readout of attenuator or C/No setting

#### Indicators

Alarm	Red LED for temp range (with FET open drain )
Remote Level	Yellow LED lights when remote control of noise power level is selected
	Three digit displays show C/No for a -20.0dBm carrier or attenuation from max noise level

#### Other

RF, IF Connectors	BNC, female
Size, Bench Top	4.7" wide X 1.75" high X 12.5" deep
Size, Rack Mount (-R)	19 inch standard chassis 1.75"high X 13.0" deep (Optional)
Power (std)	120 ±10% VAC, 60Hz, 20 watts max, wall mount power supply
Model 2007C	No power supply, <b>Requires 2000-01</b> Universal Power Supply, 100-240 ±10% VAC, 60Hz, 20 watts max. <b>(not included)</b>



**Cross Technologies, Inc. • [www.crosstechnologies.com](http://www.crosstechnologies.com)**

6170 Shiloh Road • Alpharetta, GA 30005 • 770.886.8005 • FAX 770.886.7964