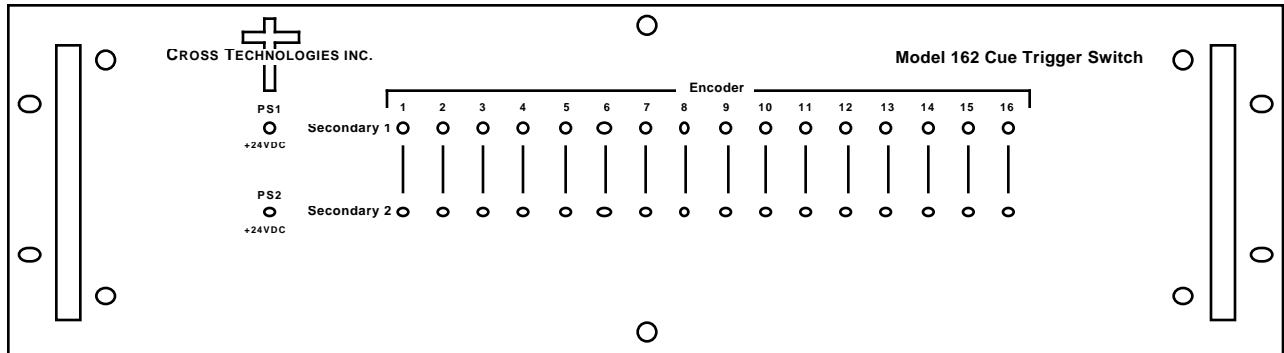


**MODEL 162 Cue Trigger Switch**

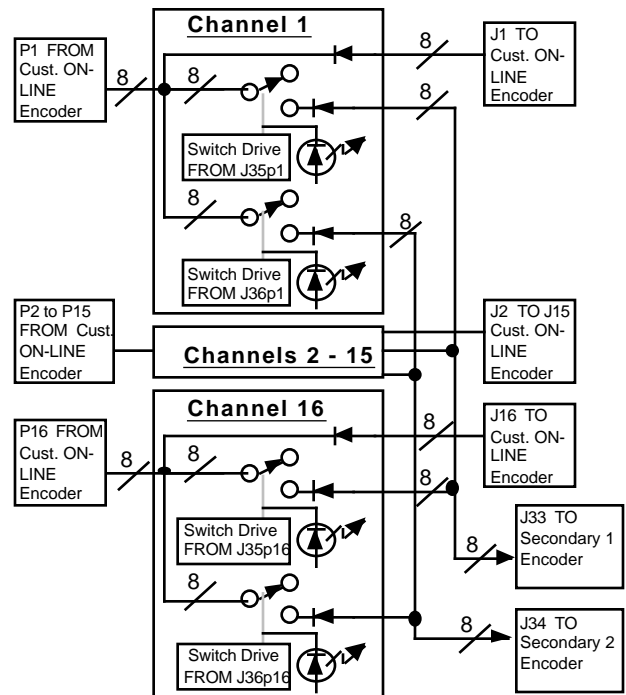
The 162 Cue Trigger Switch switches 8 contact closures from each of 16 on-line encoders to two separate 8 line outputs to two different secondary encoders by a closure to ground to the corresponding channel relay control input pin. High sensitivity relays are used for the switch. Connectors are terminal strip (with removable screw terminal mating connector) for inputs from on-line encoders, DB9, female, for the signal to online encoders, DB9, female, for signals to secondary encoders, and DB37, female, for switch control closures. Green LEDs indicate signals switched to secondary encoders and presence of DC power from each of the two power supplies.



**MODEL 162 Cue Trigger Switch**

**TECHNICAL SPECIFICATIONS**

| Characteristics   | Specifications*                                     |
|---|---|
| <b>Inputs</b>   |   |
| From Online Encoders                                    | 16  |
| Closures per encoder                                    | 8   |
| Polarity  | The non-switched voltage must be > pass through out |
| <b>Outputs</b>  |   |
| To Online Encoders                                      | 16  |
| To Secondary Encoders                                   | 2   |
| Polarity  | Positive voltage switched                           |
| <b>Relay Specifications (Encoder closure switch)</b>    |   |
| Contact current   | 500ma, max  |
| Contact Voltage   | 50 volts DC, max                                    |
| <b>Control signal (closure to gnd to switch relays)</b> |   |
| Control current   | 30 ma, max  |
| Voltage when open                                       | 25 volts DC, max                                    |
| <b>Indicators (Green LEDs), Other</b>                   |   |
| Power, Selection  | Power supply on, Channels selected for 1, 2         |
| AC Power, Input   | 90- 260 VAC, 47 - 63 Hz                             |
| AC Fuse ( 5 mm X 20 mm)                                 | 2 amp slow blow (Type T)                            |
| Size  | 19" W X 5 1/4" H X 21" D                            |



**162 Switch Block Diagram**

\*+10 to +40 degrees C;  
Specifications subject to change without notice.